

Industry: Aerospace

Application: Area Misting

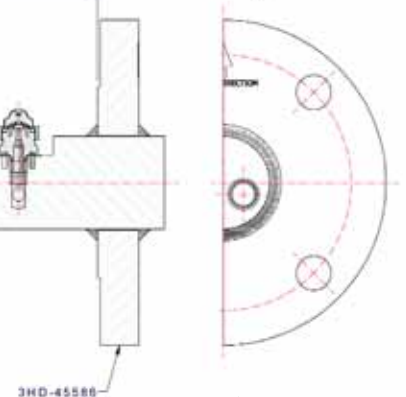
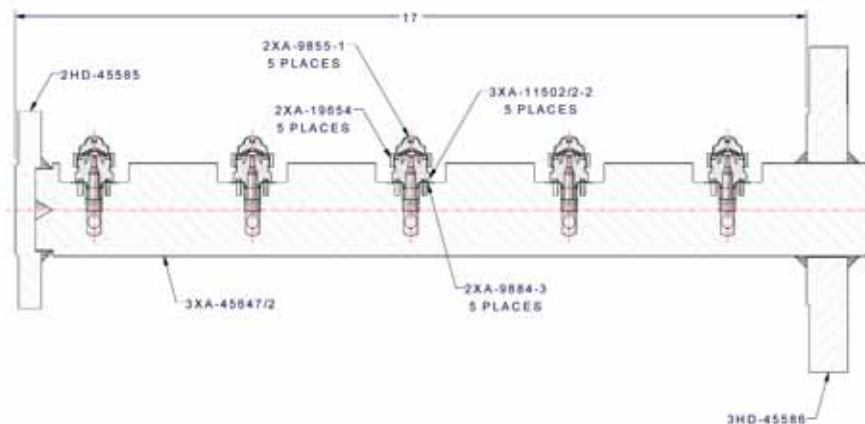
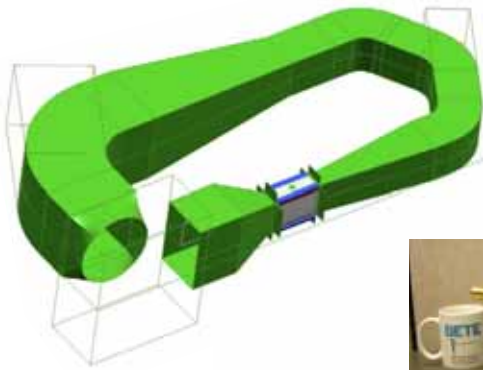
Product Description: Special XA Manifold

Situation: A BETE customer was designing an “Icing Wind Tunnel” to study the effects of droplet size and droplet density on the formation of ice build-up on airplane wings. Drop size and water flow rate had to be independently variable covering 15–70µm and 0.47–1.58gpm. Even coverage was required, and some sort of “aerodynamic shape” would be desirable.

BETE's solution: Due to the requirement for independent variability of flow and drop size, an air atomizing nozzle was the obvious choice. When the customer expressed an interest in a controls system to regulate the nozzles, BETE Technical Services provided a quote for the design and fabrication, which was accepted. The final solution included 5 XAAD250 setups in a custom manifold made from a solid piece of gun-drilled bar stock to provide low wind resistance and ease of fabrication.

Technical Questions?

Please contact:
 Applications Engineering
 (appeng@bete.com)
 413-772-0846
 App#040240



App#040240