

EZ FF NF SPN

EZ Quick Change Connection System

DESIGN FEATURES

- Nozzles can be changed in seconds without tools
- Three part nozzle, base, gasket and interchangeable tip
- Exclusive ramped engagement for efficient automatic alignment
- Threaded adapters will accommodate other standard BETE nozzles. Shut-off plugs are also available.
- Sanitary EZs are available with weld connection and no knurling

SPRAY CHARACTERISTICS

- Available in six standard tips: EZFF; EZNF; EZSPN; EZWL; EZTF, and EZWT

More EZ tips:

Hollow Cone: page 46

Flat Fan: pages 62 and 63

Flow rates: 0.02 to 42.5 gpm

Spray Angle:

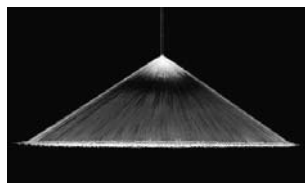
EZFF: 105° and 145°

EZNF: 0°, 15°, 30°, 50°, 65°, 80°, 90°, 110°, 120°

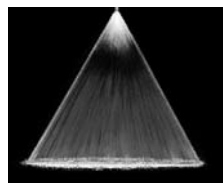
EZSPN: 15°, 25°, 35°, 40° and 50°



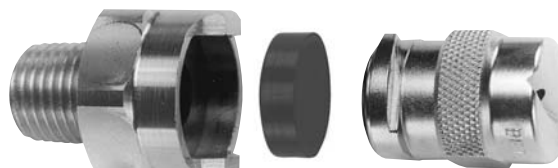
EZNF



145° Fan



50° Fan



Base

Gasket

Tip

Dimensions are approximate. Check with BETE for critical dimension applications.

EZFF Flow Rates and Dimensions

Deflected Flat Fan 105° and 145° Spray Angles 1/8" to 1/2" Pipe Sizes

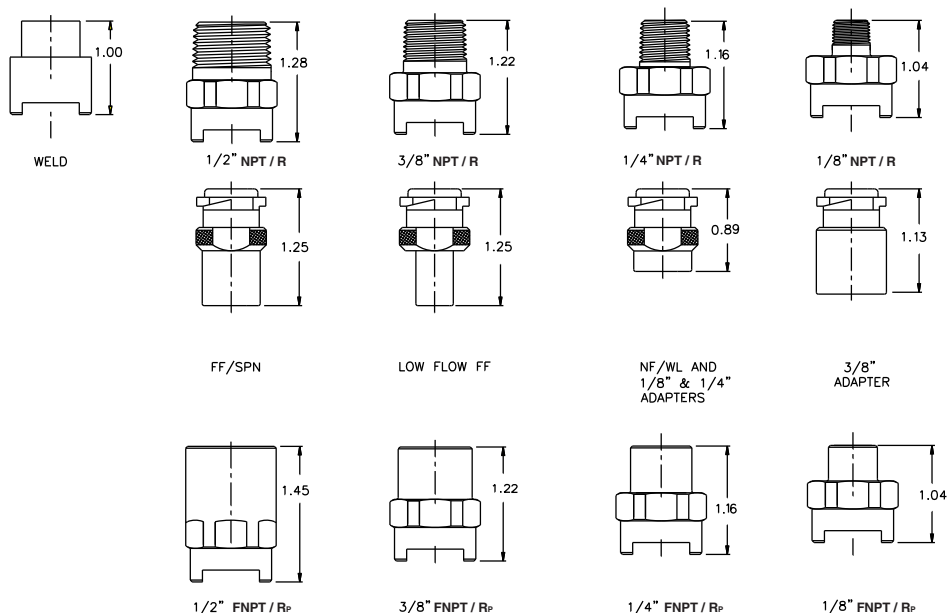
Pipe Size	Nozzle Number	K Factor	GALLONS PER MINUTE @ PSI											Approx. Orifice Dia. (in.)	Pipe Size	Approx. Assembly Dim. (in.) Hex Length	Wt. (oz.)
			5 PSI	10 PSI	20 PSI	30 PSI	40 PSI	60 PSI	80 PSI	100 PSI	200 PSI	400 PSI	500 PSI				
1/8"	EZFF016	0.00791	0.02	0.02	0.03	0.04	0.05	0.06	0.07	0.08	0.11	0.16	0.18	0.016	1/8"	0.88 1.99	2.2
	EZFF024	0.0158	0.03	0.05	0.71	0.09	0.10	0.12	0.14	0.16	0.22	0.32	0.35	0.024			
	EZFF028	0.0237	0.05	0.07	0.11	0.13	0.15	0.18	0.21	0.237	0.34	0.47	0.53	0.028			
	EZFF033	0.0316	0.07	0.10	0.14	0.17	0.20	0.24	0.28	0.32	0.48	0.63	0.71	0.033			
	EZFF041	0.0474	0.11	0.15	0.21	0.26	0.30	0.37	0.42	0.47	0.67	0.95	1.06	0.041			
	EZFF046	0.0632	0.14	0.20	0.25	0.37	0.40	0.49	0.57	0.63	0.89	1.26	1.41	0.046			
	EZFF052	0.0791	0.18	0.25	0.35	0.43	0.50	0.61	0.71	0.79	1.11	1.58	1.77	0.052			
	EZFF057	0.0949	0.21	0.30	0.42	0.52	0.60	0.74	0.85	0.95	1.34	1.90	2.12	0.057			
TO	EZFF065	0.126	0.28	0.40	0.57	0.69	0.80	0.98	1.13	1.26	1.79	2.52	2.82	0.065	1/4"	0.88 2.11	2.2
	EZFF073	0.158	0.35	0.50	0.71	0.87	1.00	1.22	1.41	1.58	2.24	3.16	3.53	0.073			
	EZFF093	0.237	0.53	0.75	1.06	1.30	1.50	1.84	2.12	2.37	3.35	4.74	5.30	0.093			
	EZFF104	0.316	0.71	1.00	1.41	1.73	2.00	2.45	2.83	3.16	4.47	6.32	7.07	0.104			
	EZFF116	0.379	0.85	1.20	1.70	2.08	2.40	2.94	3.39	3.79	5.37	7.58	8.48	0.116			
	EZFF125	0.395	0.88	1.25	1.77	2.17	2.50	3.06	3.54	3.95	5.59	7.90	8.83	0.125			
	EZFF129	0.474	1.06	1.50	2.12	2.60	3.00	3.67	4.24	4.74	6.71	9.48	10.6	0.129			
	EZFF141	0.569	1.27	1.80	2.55	3.12	3.60	4.41	5.09	5.69	8.05	11.4	12.7	0.141			
1/2"	EZFF148	0.632	1.41	2.00	2.83	3.46	4.00	4.90	5.66	6.32	8.94	12.6	14.1	0.148	3/8"	0.88 2.17	2.6
	EZFF156	0.696	1.58	2.20	3.11	3.81	4.40	5.39	6.22	6.96	9.84	13.9	15.6	0.156			
	EZFF161	0.759	1.70	2.40	3.39	4.16	4.80	5.88	6.79	7.59	10.7	15.2	17.0	0.161			
	EZFF173	0.854	1.91	2.70	3.82	4.68	5.40	6.61	7.64	8.54	12.1	17.1	19.1	0.173			
	EZFF187	0.949	2.12	3.00	4.24	5.20	6.00	7.35	8.49	9.49	13.4	19.0	21.2	0.187			
	EZFF196	1.11	2.47	3.50	4.95	6.06	7.00	8.57	9.90	11.1	15.7	22.2	24.8	0.196			
	EZFF218	1.26	2.83	4.00	5.66	6.93	8.00	9.80	11.3	12.6	17.9	25.2	28.2	0.218			
	EZFF221	1.42	3.18	4.50	6.36	7.79	9.00	11.0	12.7	14.2	20.1	28.4	31.8	0.221			
1/2"	EZFF250	1.66	3.71	5.25	7.42	9.09	10.5	12.9	14.8	16.6	23.5	33.2	37.1	0.250	1/2"	0.88 2.23	2.9
	EZFF256	1.90	4.24	6.00	8.49	10.4	12.0	14.7	17.0	19.0	26.8	38.0	42.5	0.256			

Flow Rate (GPM) = $K \sqrt{PSI}$

*Available in 105° only; all others 145° FF218 - FF256 not available with 1/8" base

Standard Materials: 303 Stainless Steel, 316 Stainless Steel, Brass, Viton gaskets standard.

Spray angle performance varies with pressure. Contact BETE for specific data on critical applications.



Dimensions are approximate. Check with BETE for critical dimension applications.

EZNF Flow Rates and Dimensions

Fan and Straight Jet 0°, 15°, 30°, 50°, 65°, 80°, 90°, 110° and 120° Spray Angles 1/8" to 1/2" Pipe Sizes

Pipe Size	Nozzle Number	K Factor	GALLONS PER MINUTE @ PSI											Equivalent Orifice Dia. (in.)	Approx. Assembly Dim. (in.)		Wt. (oz.)			
			5 PSI	10 PSI	20 PSI	30 PSI	40 PSI	60 PSI	80 PSI	100 PSI	200 PSI	400 PSI	500 PSI		Hex	Length				
1/8" TO	EZNF01	0.0158	0.03	0.05	0.07	0.09	0.10	0.12	0.14	0.16	0.22	0.31	0.35	0.026	1/8"	0.88	1.63	2.2		
	EZNF015	0.0237	0.05	0.07	0.11	0.13	0.15	0.18	0.21	0.24	0.33	0.47	0.53	0.031						
	EZNF02	0.0316	0.07	0.10	0.14	0.17	0.20	0.24	0.28	0.32	0.48	0.63	0.71	0.036						
	1/2"	EZNF025	0.0395	0.09	0.12	0.18	0.22	0.25	0.31	0.35	0.40	0.56	0.79	0.88	0.040	1/4"	0.88	1.75	2.2	
		EZNF03	0.0474	0.11	0.15	0.21	0.26	0.30	0.37	0.42	0.47	0.67	0.95	1.06	0.043					
		EZNF04	0.0632	0.14	0.20	0.28	0.35	0.40	0.49	0.57	0.63	0.89	1.26	1.41	0.052					
		1/4" - 1/2"	EZNF05	0.0791	0.18	0.25	0.35	0.43	0.50	0.61	0.71	0.79	1.12	1.58	1.77	0.057	3/8"	0.88	1.81	2.6
			EZNF06	0.0949	0.21	0.30	0.42	0.52	0.60	0.73	0.85	0.95	1.34	1.90	2.12	0.062				
			EZNF08	0.126	0.28	0.40	0.57	0.69	0.80	0.98	1.13	1.26	1.79	2.53	2.83	0.072				
			1/2"	EZNF10	0.158	0.35	0.50	0.71	0.87	1.00	1.22	1.41	1.58	2.24	3.16	3.54	0.080	1/2"	0.88	1.87
EZNF15				0.237	0.53	0.75	1.06	1.30	1.50	1.84	2.12	2.37	3.35	4.74	5.30	0.094				
EZNF20				0.316	0.71	1.00	1.41	1.73	2.00	2.45	2.83	3.16	4.47	6.32	7.07	0.109				
1/4" - 1/2"				EZNF30	0.474	1.06	1.50	2.12	2.60	3.00	3.67	4.24	4.74	6.71	9.49	10.6	0.141	1/2"	0.88	1.87
	EZNF40			0.632	1.41	2.00	2.83	3.46	4.00	4.90	5.66	6.32	8.94	12.6	14.1	0.156				
	EZNF50			0.791	1.77	2.50	3.54	4.33	5.00	6.12	7.07	7.91	11.2	15.8	17.7	0.172				
	EZNF60			0.949	2.12	3.00	4.24	5.20	6.00	7.35	8.49	9.49	13.4	19.0	21.2	0.185				
1/4" - 1/2"	EZNF70	1.11	2.47	3.50	4.95	6.06	7.00	8.57	9.90	11.1	15.6	22.1	24.8	0.203	1/2"	0.88	1.87	2.9		
	EZNF80	1.26	2.83	4.00	5.66	6.93	8.00	9.80	11.3	12.6	17.9	25.3	28.3	0.219						
1/4" - 1/2"	EZNF90	1.42	3.18	4.50	6.36	7.79	9.00	11.0	12.7	14.2	20.1	28.4	31.8	0.234	1/2"	0.88	1.87	2.9		

Flow Rate (GPM) = K √PSI

Standard Materials: 303 Stainless Steel, 316 Stainless Steel, Brass, Viton gaskets standard.

EZSPN Flow Rates and Dimensions

Fan 15°, 25°, 35°, 40° and 50° Spray Angles 1/8" to 1/2" Pipe Sizes

Pipe Size	Nozzle Number	Available Spray Angles	K Factor	GALLONS PER MINUTE @ PSI											Equiv. Orifice Dia. (in.)	Deflection Angle @ Spray Angle				Approx. Assembly Dim. (in.)		Wt. (oz.)
				5 PSI	10 PSI	20 PSI	40 PSI	80 PSI	100 PSI	200 PSI	400 PSI	500 PSI	15°	25°		35°	40°	50°	Hex	Length		
1/8"	EZSPN10	15° 35° 50°	0.158	0.35	0.50	0.71	1.00	1.40	1.60	2.20	3.16	3.54	0.057	5°	35°	55°	1/8"	0.88	1.99	2.2		
	EZSPN20	15° 35° 50°	0.316	0.71	1.00	1.41	2.00	2.83	3.16	4.47	6.32	7.07	0.080	5°	35°	45°						
	EZSPN25	50°	0.395	0.88	1.25	1.77	2.50	3.54	3.90	5.59	7.91	8.84	0.094	50°								
	EZSPN30	15° 35°	0.474	1.06	1.50	2.12	3.00	4.24	4.74	6.71	9.49	10.6	0.109	5°	28°							
TO	EZSPN40	15° 25° 35° 40° 50°	0.632	1.41	2.00	2.83	4.00	5.66	6.32	9.00	12.6	14.1	0.141	5° 20° 35° 35° 55°			1/4"	0.88	2.11	2.2		
	EZSPN50	35° 40°	0.791	1.77	2.50	3.54	5.00	7.07	7.91	11.2	15.8	17.7	0.156	23° 33°								
	EZSPN60	15° 35° 40° 50°	0.949	2.12	3.00	4.24	6.00	8.49	9.49	13.4	19.0	21.2	0.172	5°	20° 33° 35°						3/8"	0.88
1/2"	EZSPN70	40°	1.11	2.47	3.50	4.95	7.00	9.90	11.1	15.7	22.1	24.7	0.185	29°								
1/4"	EZSPN80	15° 35° 40° 50°	1.27	2.83	4.00	5.66	8.00	11.3	12.6	17.9	25.3	28.3	0.203	5°	25° 26° 35°		1/2"	0.88	2.23	2.9		
	TO	EZSPN90	40°	1.42	3.18	4.50	6.36	9.00	12.7	14.2	20.1	28.5	31.8	0.219	28°							
1/2"	EZSPN100	15° 35° 40° 50°	1.58	3.54	5.00	7.07	10.0	14.1	15.8	22.4	31.6	35.4	0.234	5°	25° 28° 40°							

Flow Rate (GPM) = K √PSI SPN80 - SPN100 not available with 1/8" base

Standard Materials: 303 Stainless Steel, 316 Stainless Steel, Brass, Viton gaskets standard.

Spray angle performance varies with pressure. Contact BETE for specific data on critical applications.



Call for the name of your nearest BETE representative. CALL 413-772-0846