

**Industry:** Power Generation Systems

**Application:** Gas Cooling

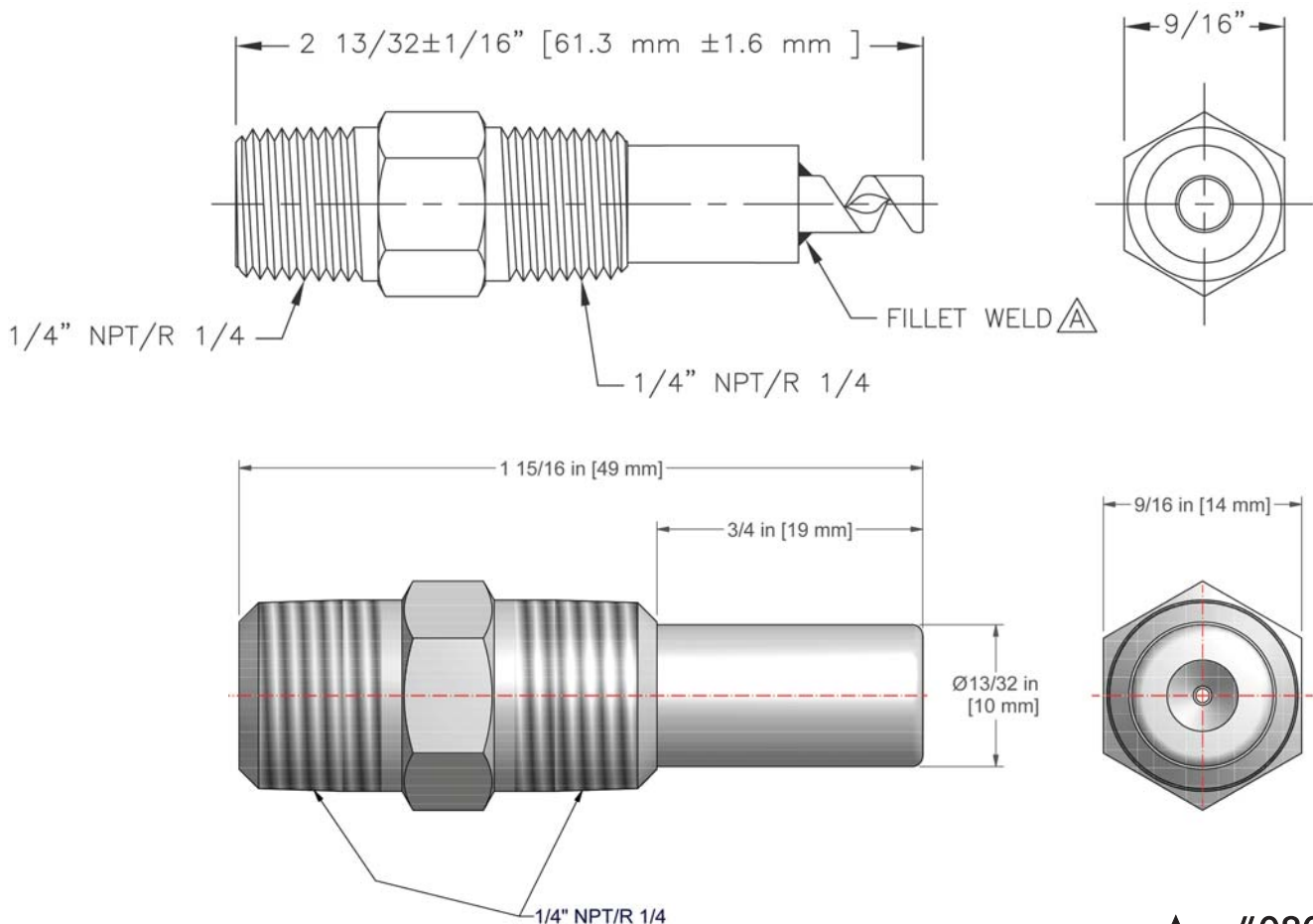
**Product Descriptions:** 1/4" Wall-mount L and WL nozzles

**Situation:** A BETE customer was interested in two different types of nozzles in order to create two different drop size distributions for a gas quenching process. The nozzles also needed to be fitted with a wall mount thread so they could be attached to the wall of the duct. The wall mount threads on the duct were added on to the wall instead of threading the wall itself, which meant that the nozzles also required an extension to place the spray pattern into the gas flow without any obstructions.

**BETE's solution:** The BETE L and WL series were used for the small and medium drop size distributions, respectively. The extended length of the nozzles allows for the tip to be in the gas stream. These set-ups are much like the larger lance assemblies fabricated by BETE but the inlet and process flanges are replaced by NPT threads. The L nozzle is a two-piece design where the WL nozzle is one piece.

### Technical Questions?

Please contact:  
Applications Engineering  
([appeng@bete.com](mailto:appeng@bete.com))  
413-772-0846  
App#080913



App#080913