

MWH

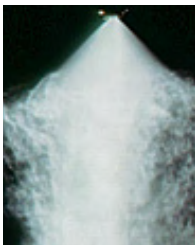
Low-flow Misting Head

DESIGN FEATURES

- Finest atomization of any direct pressure multi-nozzle
- Rugged construction
- Narrow drop spectrum
- Minimum operating pressure 1000 psi (70 bar)
- Other manifolds and flow rates available
- Patent pending

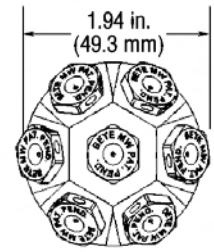
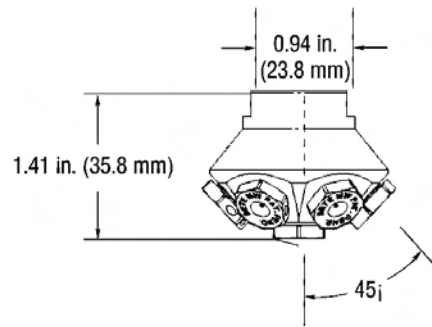
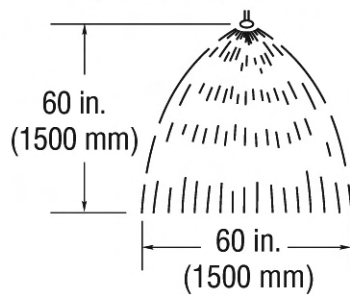
SPRAY CHARACTERISTICS

- Finest fog of any direct pressure nozzle
- Spray pattern:** Cone-shaped Fog
Flow rates: 1.1 to 1.9 gpm



Fog

Coverage at 1500 psi (100 bar)



Dimensions are approximate. Check with BETE for critical dimension applications.

MicroWhirl™ Head Flow Rates and Dimensions Fogging, 90° Spray Angle

Pipe Size	Nozzle Number	K Factor	GALLONS PER MINUTE @ PSI			Orifice Dia. (in.)	Approx. Wt. (oz.)
			1000 PSI	2000 PSI	3000 PSI		
1/2"	MW1207	0.035	1.1	1.6	1.9	0.022	6.5

$$\text{Flow Rate (GPM)} = K\sqrt{\text{PSI}}$$

Standard Materials: 316 Stainless Steel, Viton® O-ring.

Spray angle performance varies with pressure. Contact BETE for specific data on critical applications.



MISTING

CALL 413-772-0846
Call for the name of your nearest BETE representative.