

RTW

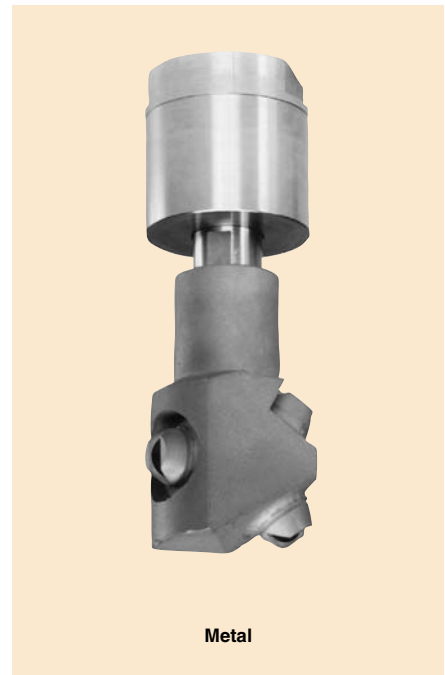
Rotating Tank and Drum Washing Nozzles

DESIGN FEATURES

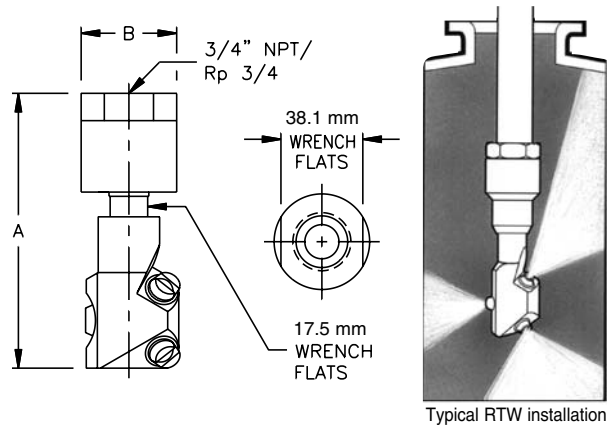
- Fits through a 45mm opening
- Low leakage, resulting in water and chemical savings, as well as a reduction in treatment costs
- Hardened 400 series Stainless Steel bearings.

SPRAY CHARACTERISTICS

- Slow rotation speed provides better cleaning
 - Wide coverage
- Flow rates:** 19.1 to 229 l/min



RTW Coverage Chart When spraying at 3 bar			
Pipe Size	Nozzle Number	Scrubbing Diameter (mm)	Rinsing Diameter (mm)
3/4"	RTW 10	600	1800
	RTW 18	1200	2400
	RTW 21	1200	3700
	RTW 45	1800	4300



Dimensions are approximate. Check with BETE for critical dimension applications.

RTW Flow Rates and Dimensions

Wide Spray Angle, 3/4" Pipe Size, BSP or NPT

Female Pipe Size	Nozzle Number	K Factor	LITERS PER MINUTE @ BAR					Equivalent Orifice Dia. (mm)	Approx. Dim. (mm)		Wt. (Kg)	
			0.7 bar	1 bar	2 bar	3 bar	4 bar		5 bar	A		B
3/4"	RTW10	22.8	19.1	22.8	32.2	39.5	45.6	51.0	3.96	171	44.4	0.95
	RTW18	41.0	34.3	41.0	58.0	71.0	82.0	91.7	4.72			
	RTW21	47.9	40.0	47.9	67.7	82.9	95.7	107	5.16			
	RTW45	103	86.0	103	145	178	205	229	7.54			

$$\text{Flow Rate (l/min)} = K\sqrt{\text{bar}}$$

Standard Materials: 316 Stainless Steel.

Spray angle performance varies with pressure. Contact BETE for specific data on critical applications.

SPECIAL PURPOSE

CALL 413-772-0846
Call for the name of your nearest BETE representative.