

TW

Tank Washing

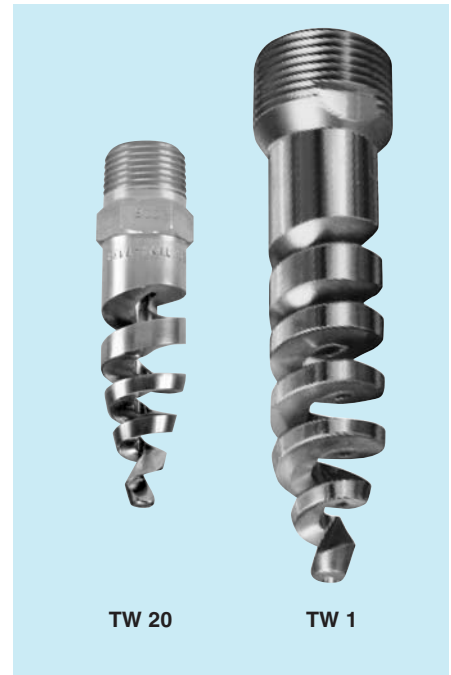
DESIGN FEATURES

- Clog-resistant spiral design
- Energy efficient
- Compact design; fits small openings

SPRAY CHARACTERISTICS

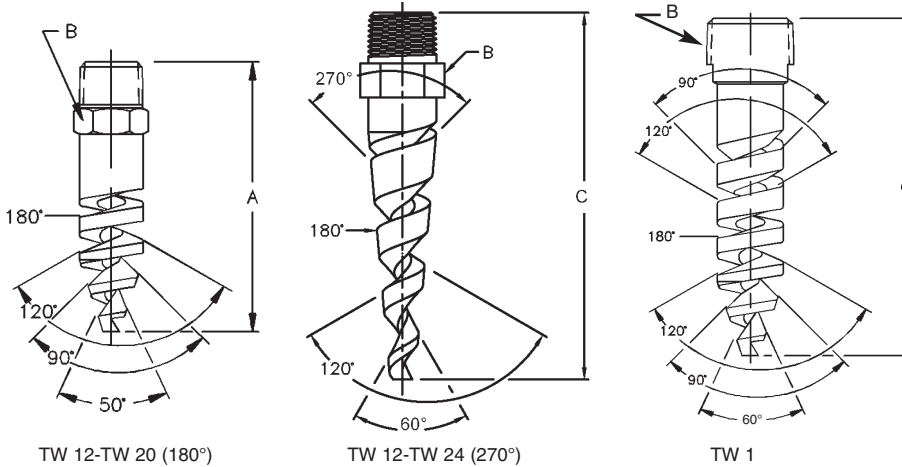
- Easy to maintain
- Unique patterns that spray in opposing directions
- See LEM on page 104 for other tank-washing applications

Flow rates: 3.0 to 163 gpm



TW 20

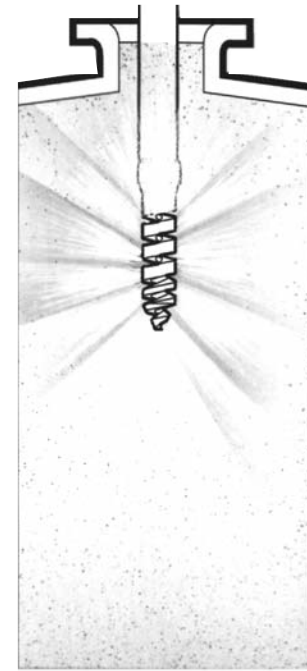
TW 1



TW 12-TW 20 (180°)

TW 12-TW 24 (270°)

TW 1



TANK WASHING

TO ORDER: specify pipe size, connection type, nozzle number, spray angle, and material.

Tank Washing TW Coverage Chart When spraying at 30-40 PSI

Pipe Size	Nozzle Number	Scrubbing Diameter (ft.)	Rinsing Diameter (ft.)
3/8	TW12	1.25	2.5
	TW14	1.5	4.0
	TW16	2.0	5.0
	TW20	3.0	7.0
1/2	TW24	4.0	9.0
1	TW1	8.0	20

Dimensions are approximate. Check with BETE for critical dimension applications.

Tank Washing Flow Rates and Dimensions TW 180° and 270°, 3/8", 1/2", and 1" Pipe Sizes

Male Pipe Size	Nozzle Number	Available Spray Angle	K Factor	GALLONS PER MINUTE @ PSI											Approx. (in.)		Dimensions (in.)			Wt. (oz.)
				10 PSI	20 PSI	30 PSI	40 PSI	50 PSI	60 PSI	80 PSI	100 PSI	200 PSI	400 PSI	Orifice Dia	Free Pass. Dia.	A	B	C		
3/8	TW12	180° 270°	0.949	3.00	4.24	5.20	6.00	6.71	7.35	8.49	9.49	13.4	19.0	0.19	0.13	2.88	0.75	3.63	1.75	
	TW14	180° 270°	1.28	4.05	5.73	7.01	8.10	9.06	9.92	11.5	12.8	18.1	25.6	0.22	0.13					
	TW16	180° 270°	1.68	5.30	7.50	9.18	10.6	11.9	13.0	15.0	16.8	23.7	33.5	0.25	0.13					
	TW20	180° 270°	2.61	8.25	11.7	14.3	16.5	18.4	20.2	23.3	26.1	36.9	52.2	0.31	0.13					
1/2	TW24	270°	3.81	12.1	17.0	20.9	24.1	26.9	29.5	34.1	38.1	53.9	76.2	0.41	0.17	0.88	4.25	6.4		
1	TW1	270°	8.06	26.0	36.0	45.0	51.0	57.0	63.0	72.0	80.6	115	163	0.56	0.20	1.13	5.75	10.5		

Flow Rate (GPM) = $K \sqrt{PSI}$

Standard Materials: Brass, 316 Stainless Steel