

UltiMist®



(UM) Misting Nozzles



Plastic Nozzle



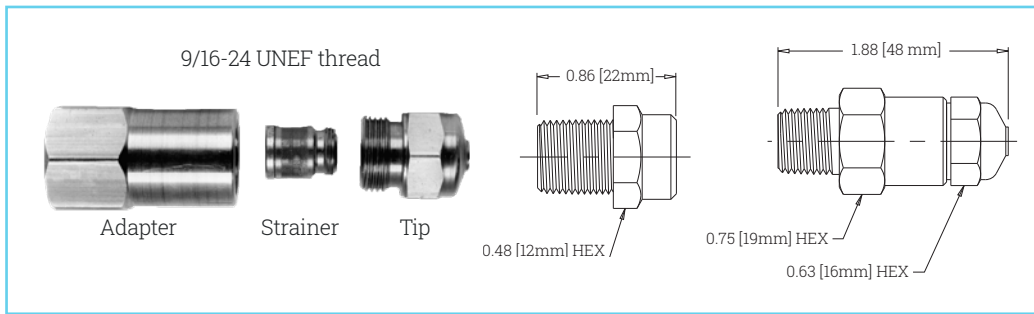
Metal

DESIGN FEATURES

- Very fine, fog-like mist
- Produces a high number of droplets under 60 microns
- Includes integrated check valve to prevent dripping
- Metal nozzle includes integral 100 mesh strainer

SPRAY CHARACTERISTICS

- Medium angle, hollow cone pattern
- Flow rates:** 1.5 to 61.1 LPH (Metal),
2.50 to 32.6 LPH (Plastic)



ULTIMIST® METAL FLOW RATES & DIMENSIONS

Materials: 416 Stainless Steel Tip, Brass Adapter/Body

Male or Female Connection Type	Nozzle Number	K Factor	Flow Rate (LPH) @ Differential Pressure (bar)				
			3 bar	10 bar	40 bar	70 bar	80 bar
1/8" or 1/4" NPT, BSP	UM37M	0.84	1.50	2.70	5.30	7.10	7.50
	UM50M	1.14	2.00	3.60	7.20	9.50	10.2
	UM75M	1.71	3.00	5.40	10.8	14.3	15.3
	UM100M	2.28	3.90	7.20	14.4	19.1	20.4
	UM150M	3.42	5.90	10.8	21.6	28.6	30.6
	UM200M	4.56	7.90	14.4	28.8	38.1	40.8
	UM250M	5.70	9.90	18.0	36.0	47.7	51.0
UM300M	6.84	11.8	21.6	43.2	57.2	61.1	

ULTIMIST® PLASTIC FLOW RATES & DIMENSIONS

Materials: Polyacetal

Male Connection Type	Nozzle Number	K Factor	Flow Rate (LPH) @ Differential Pressure (bar)				
			3 bar	5 bar	10 bar	20 bar	70 bar
1/8" NPT, BSP	UML63M	1.44	2.50	3.20	4.60	6.40	12.1
	UML126M	2.88	5.00	6.40	9.10	12.9	24.1
	UML170M	3.89	6.70	8.70	12.3	17.4	32.6

Flow Rate (GPM) = $K\sqrt{P\Delta}$

Spray angle performance varies with pressure. Contact BETE for specific data on critical applications.